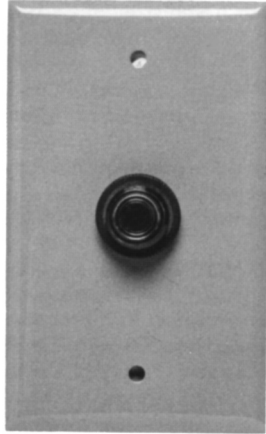


Wire-In Photoelectric Controls

FA Series



Wall Plate

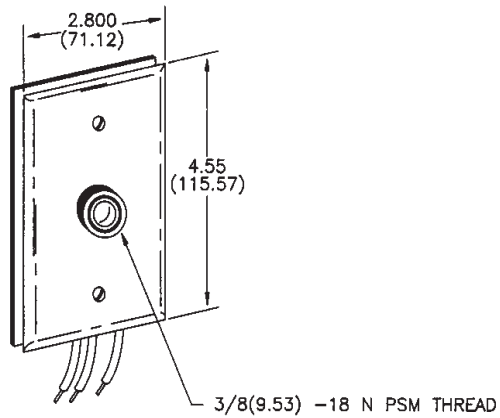
The wall plate package is constructed of a photocontrol mounted to a painted gray aluminum wall plate which will fit standard outlet boxes. Complete with gasket and mounting screws.

Dimensions: Wall plate: 4.55"H; 2.80"W
Control: 2.062"L; 1.00"W;
1.53"D

Application

The FA Series wall plate/control fits a standard single-gang outlet box and is ideal for entrance, porch and open public areas where unobtrusive flush-mounting is required (pools, parking lots, marinas, etc)

FA Series Mechanical Diagram



Ordering Information

Model	Line Voltage	Load Rating	
		Tungsten	HID Ballast
FPFA105W	120	2000W	1000VA
FPFA1068W	208-277	2000W	1000VA