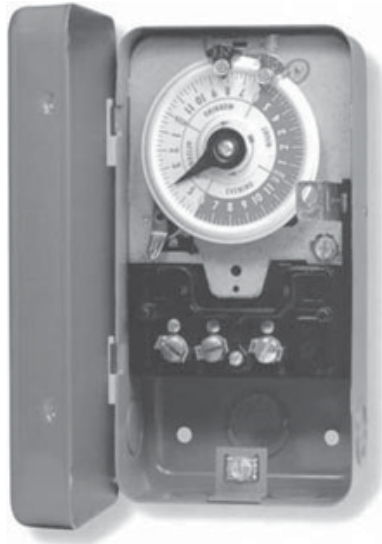


Electromechanical Timer Switches

FP100 Series



The FP100 Series time switch with 24 hour dial is designed for up to 7 ON/OFF operations per day. The “easy to position” trippers allow for minimum On and OFF times 90 minute minimum between operations. The “easy to read” dial does not rotate unless it is pulled up for time setting; thereby preventing the accidental stripping of the timing motor during installation. Single override “easy to find and operate” labeled lever prevents the user from accidentally overriding ON or OFF functions. All models include a pair of ON and OFF trippers on the dial.

Application

This heavy-duty, electromechanical time switch is ideal for every day ON and OFF switching of lighting and motor loads in industrial, commercial, institutional and residential applications. (i.e., air conditioners, conveyors, blowers, fans, pumps, pool heaters, hydrochlorinators, heating systems, indoor/outdoor lighting, signs alarm systems, music systems, etc.)

Specifications

Timing Motor/Operating Voltages:

Synchronous self-starting high torque motor with a maximum power consumption of 5 watts.

Input voltage:

FP101: 125 VAC/60Hz.

FP104: 208-277 VAC/60 Hz.

Switch Contact Rating:

DPST switching capacity of 40A, 208-277Vac.

SPST switching capacity of 50A, 120Vac.

Dial/Timing Cycle:

24 hour dial with pair of ON/OFF trippers. Up to 7 On/OFF cycles per day with a minimum of 90 minutes between ON and OFF operations.

Enclosure:

Drawn steel case, NEMA 1 or NEMA 3R non-metallic raintight, in gray finish with attached side hinged door and a spring hasp with hole lock. The case has round mounting holes on the back and combination knockouts (1/2" and 3/4") on each side, one on the bottom and one in the back.

Operating Temperature Range:

- 40° to +140° F

Shipping Weight:

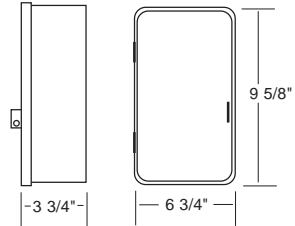
2.5 lbs (1.1 kg)

Dimensions:

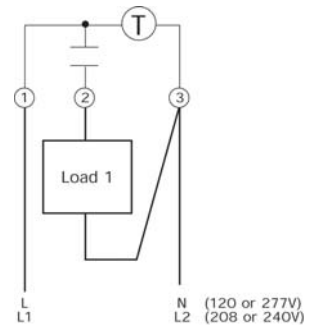
8 1/2" H x 4 1/8" W x 2 1/4" D NEMA 1

8 1/2" H x 6 9/16" W x 3 3/4" D NEMA 3R

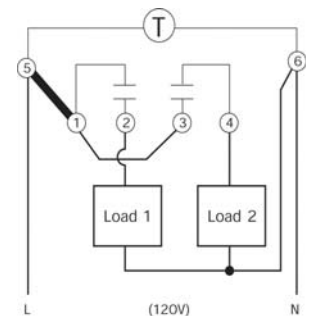
Mechanical Diagram



Wiring Diagrams



SPST



DPST

Ordering Information

Model	AC Timing Motor	Switch	Contacts	Contact Rating	H.P. Rating	Enclosure
FP101	125V	SPST	NO	50A	2	NEMA 1
FP101R	125V	SPST	NO	50A	2	NEMA 3R
FP104	208-277V	DPST	NO	40A	2	NEMA 1
FP104R	208-277V	DPST	NO	40A	2	NEMA 3R

Other configurations available - please contact factory