

# Locking-Type Photoelectric Controls & Accessories

## FPNS476 Series

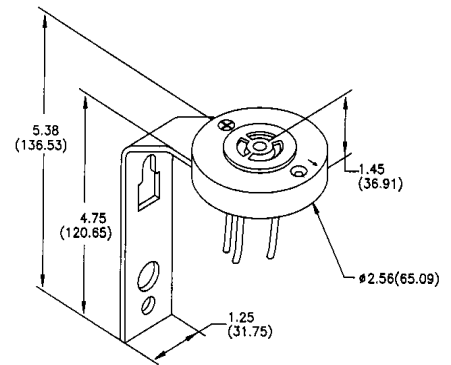


FPNS47671  
or  
FPNS47673



FPNS47681

FPNS476-81 Mechanical Diagram



### Receptacles & Mounting Brackets

A variety of locking-type receptacles are available to meet specific application needs. Receptacles are UL recognized and CSA certified, feature 18" No. 14 AWG color coded leads, and are rated for use up to 480V and 1800VA.

#### Model FPNS47671

Three pole locking-type receptacle with polycarbonate housing and wall mounting bracket 1/2" - 14 thread.

#### Dimensions:

Socket: 2-11/16"H; 2-5/8" Dia.  
Nipple: 1/2"-threaded; 5/8"L  
Bracket: 4-3/4"H; 1-1/4"W

#### Model FPNS47673

Three pole locking-type receptacle with polycarbonate housing and 1/2" pipe thread. (NS476-71 without wall bracket).

#### Dimensions:

Socket: 2-11/16" H; 2-5/8" Dia.  
Nipple: 1/2" - 14 thread; 5/8" L

#### FPNS47681

Receptacle assembly only.

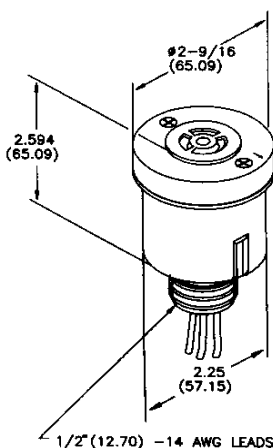
#### Dimensions:

Socket: 1-9/16" H; 2-9/16" Dia.

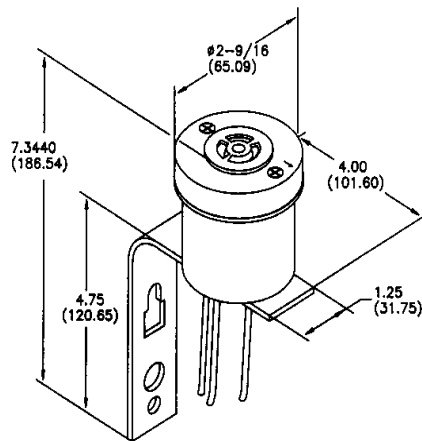
FPNS476-81 Mechanical Diagram



### FPNS47673 Mechanical Diagram



### FPNS47671 Mechanical Diagram



1/2" (12.70) -14 AWG LEADS, 5/8" (15.88) LONG

### Ordering Information

Model	Line Voltage	Load Rating		
		Tungsten	HID Ballast	
FPNS47671	up to 480V	15A max.	15A max	Includes Bracket
FPNS47673**	up to 480V	15A max.	15A max	No Bracket
FPNS476-81	up to 480V	15A max.	15A max	Includes Bracket
FPNS47681***	Receptacle assembly only.			No Bracket

\* UL recognized. CSA certified.

\*\*Purchase FPNS47671 and remove bracket.

\*\*\*Purchase FPNS476-81 and remove bracket.



54 Commercial Street  
Raynham, MA 02767, U.S.A.  
508-884-9732 • Fax: 508-822-0593