

Screw In Photoelectric Controls

SI200 Series



SI201



SI202

Solid state screw in photoelectric controls designed to operate in lighting fixtures and control incandescent lamps up to 150 watts. Automatically turns fixtures ON at dusk and OFF at dawn.

Application: Long Stem

The SI201 Model screw in control is ideal for large exterior fixtures and lantern posts used in driveways, entrances, patios, pools, etc.

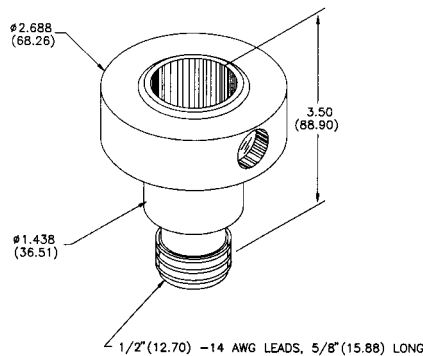
Application: Compact

The SI202 Model screw in control is ideal for small fit applications such as enclosed outdoor lighting fixtures used in entryways, porches, garage side mount as well as indoor fixtures such as table lamps, etc. (Security control for turning lamps ON for a "lived-in look".)

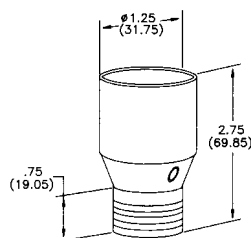
Specifications

- Photocell:
Cadmium sulfide (CdS)
- Housing:
Polycarbonate
- Operating Level:
3 to 10 footcandles (fc).
- Temperature Range:
- 20° to + 150°F
- Power Consumption:
0.5Watts

SI201 Mechanical Diagram



SI202 Mechanical Diagram



Ordering Information

Model	Line Voltage	Load Rating
FPS1201	120V	150W Incand.
FPS1202	120V	150W Incand.



54 Commercial Street
Raynham, MA 02767, U.S.A.
508-884-9732 • Fax: 508-822-0593